



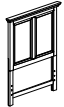
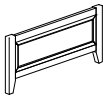
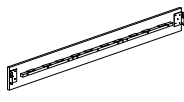




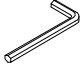

INTERCON
FURNITURE FOR LIFE

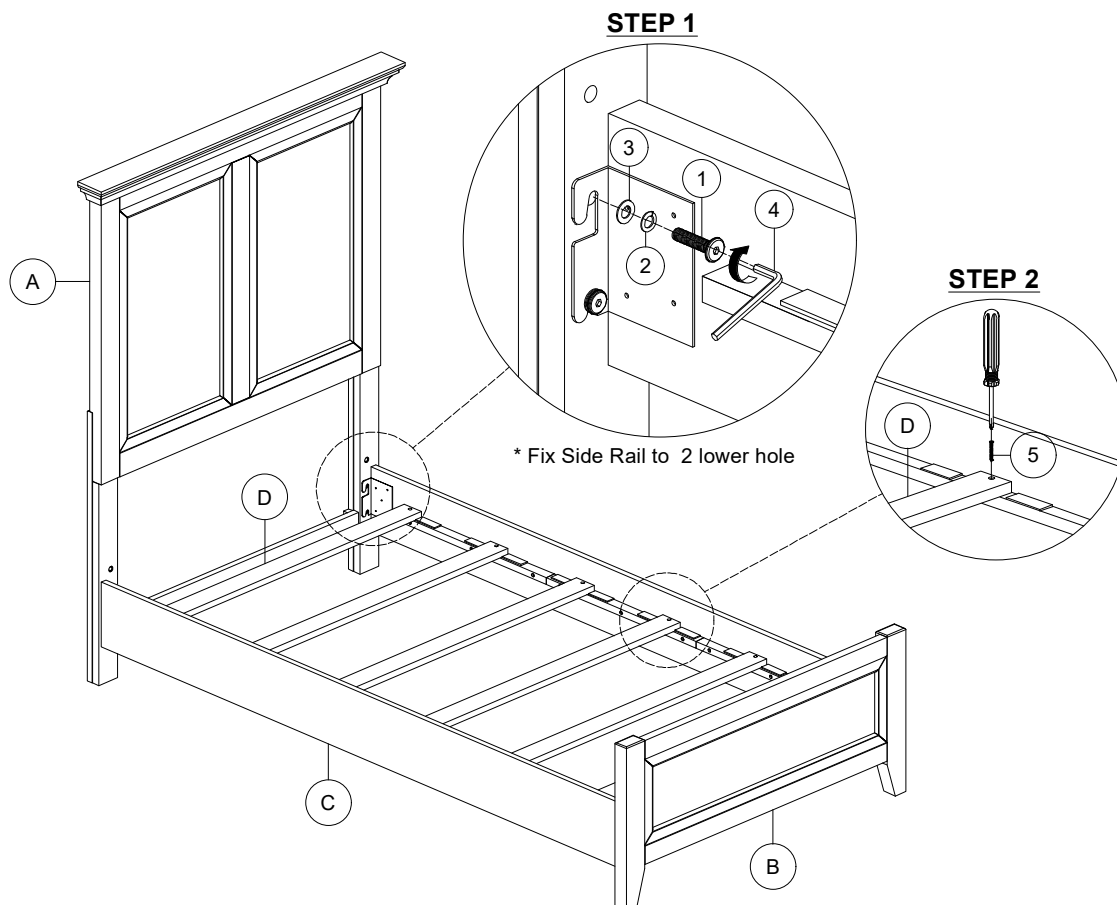
ASSEMBLY INSTRUCTIONS

DESCRIPTION : TWIN PANEL FOOTBOARD
TWIN / FULL STANDARD SIDE RAILS

ITEM NO : SM-BR-4325T-TUS-FB SM-BR-4325T-GRY-FB
SM-BR-4325TF-TUS-RS1 SM-BR-4325TF-GRY-RS1
SM-BR-4325T-RWH-FB
SM-BR-4325TF-RWH-RS1

Thank you for purchasing this quality product. Be sure to check all packing material carefully for small parts that may have come loose inside the carton during shipment. Identify and count all parts and compare with the parts list below. Please keep all hardware out of reach of small children.

<p>A</p>  <p>HEADBOARD 1 PC</p>	<p>B</p>  <p>FOOTBOARD PANEL 1 PC</p>	<p>C</p>  <p>SIDE RAIL 2 PCS</p>	<p>D</p>  <p>SLAT 6 PCS</p>		
<p>1</p>  <p>JCB SCREW M8 x 25mm 8 PCS</p>	<p>2</p>  <p>SPRING WASHER M8 8 PCS</p>	<p>3</p>  <p>FLAT WASHER M8 8 PCS</p>	<p>4</p>  <p>ALLEN KEY M5 1 PC</p>	<p>5</p>  <p>CSK SCREW M4 x 32mm 12 PCS</p>	



ASSEMBLY TIPS:

1. Remove hardware from box and sort by size.
2. Please check to see that all hardware and parts are present prior start of assembly.
3. Please follow attached instructions in the same sequence as numbered to assure fast and easy assembly.

⚠ WARNING!

1. Don't attempt to repair or modify parts that are broken or defective. Please contact the store immediately.
2. This product is for home use only and not intended for commercial establishments.