




















**INTERCON**  
FURNITURE FOR LIFE

# ASSEMBLY INSTRUCTIONS

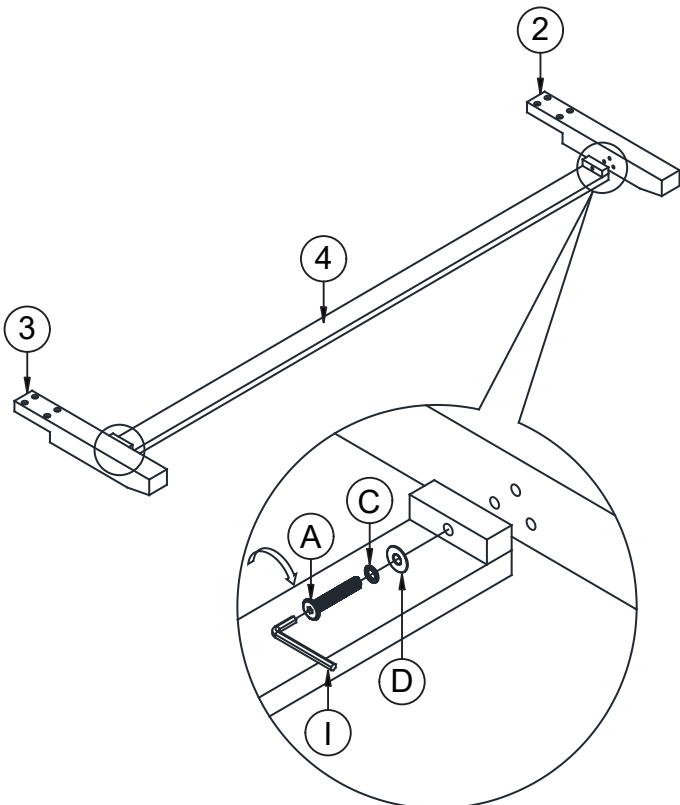
DESCRIPTION: King Upholstered Bed

ITEM NO: MW-BR-8365K-SBL-HB / MW-BR-8365K-SBL-FB  
MW-BR-8365QK-SBL-RS

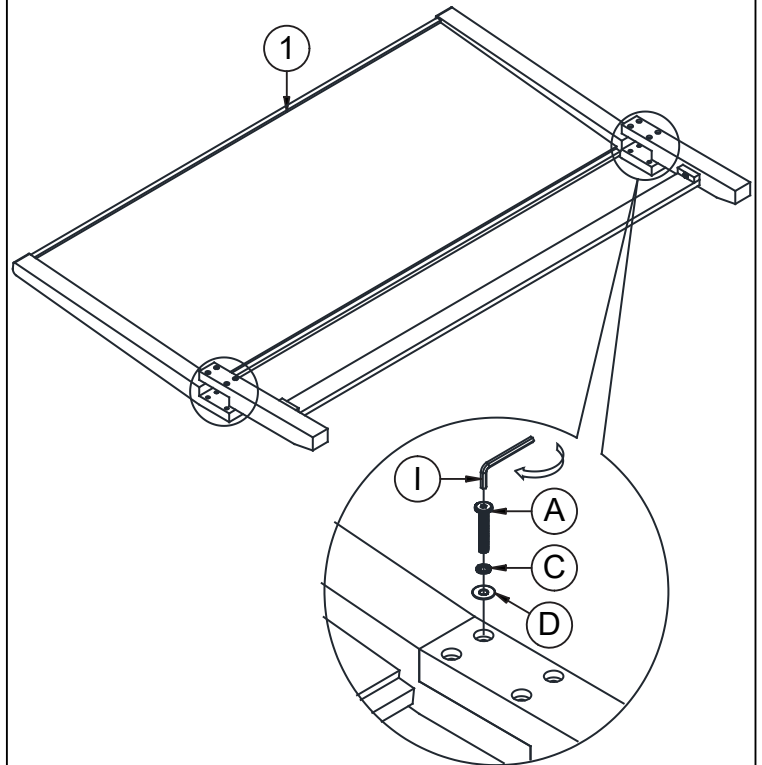
Thank you for purchasing this quality product. Be sure to check all packing material carefully for small parts which may have come loose inside the carton during shipment. Identify and count all parts and compare with the parts list below. Please keep all hardware out of reach of small children.

1  Headboard 1 PC	2  HB Leg- Left 1 PC	3  HB Leg- Right 1 PC	4  Support Rail 1 PC	5  Footboard 1 PC	6  Side Rails 2 Pcs	7  Slat 5 Pcs	8  Center Support Leg 10 Pcs
A  BOLT 5/16" x 2" 10 Pcs	B  BOLT 5/16" x 3 1/2" 8 Pcs	C  Spring Washer 5/16" x 12mm 18 Pcs s	D  Flat Washer 5/16" x 19mm 10 Pcs	E  Curved Washer 8 Pcs	F  Hex Nut 5/16" x 12mm 8 Pcs	G  Wood Screw 8 x 1" 10 Pcs	H  Wrench 1 PC
I  Allen Key M5 1 PC							

## STEP 1



## STEP 2



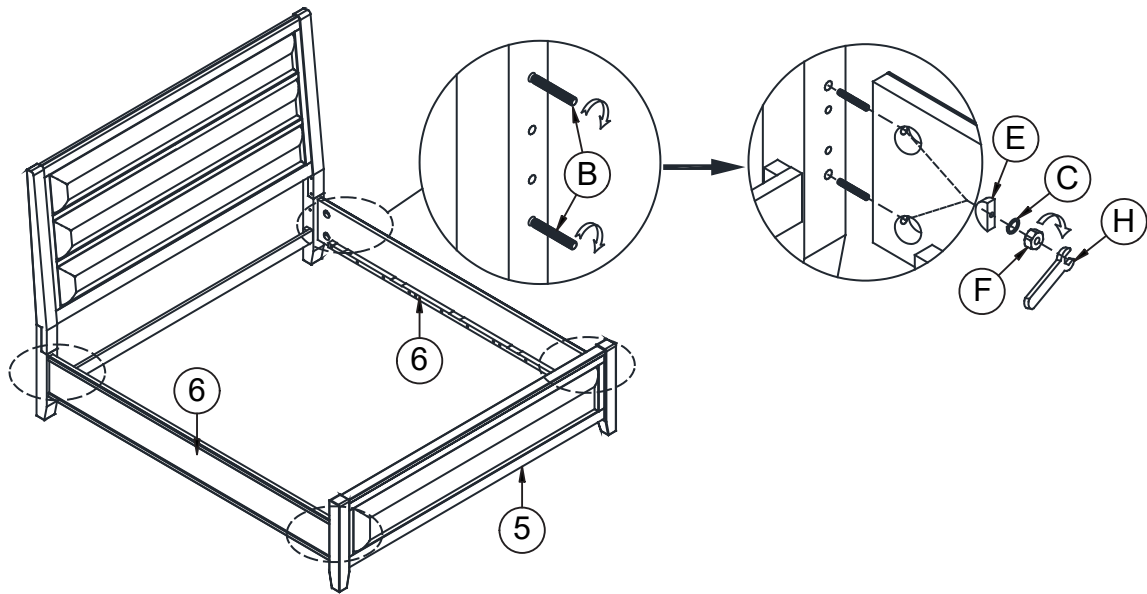
### ASSEMBLY TIPS:

1. Remove hardware from box and sort by size.
2. Please check to see that all hardware and parts are present prior start of assembly.
3. Please follow attached instructions in the same sequence as numbered to assure fast and easy assembly.

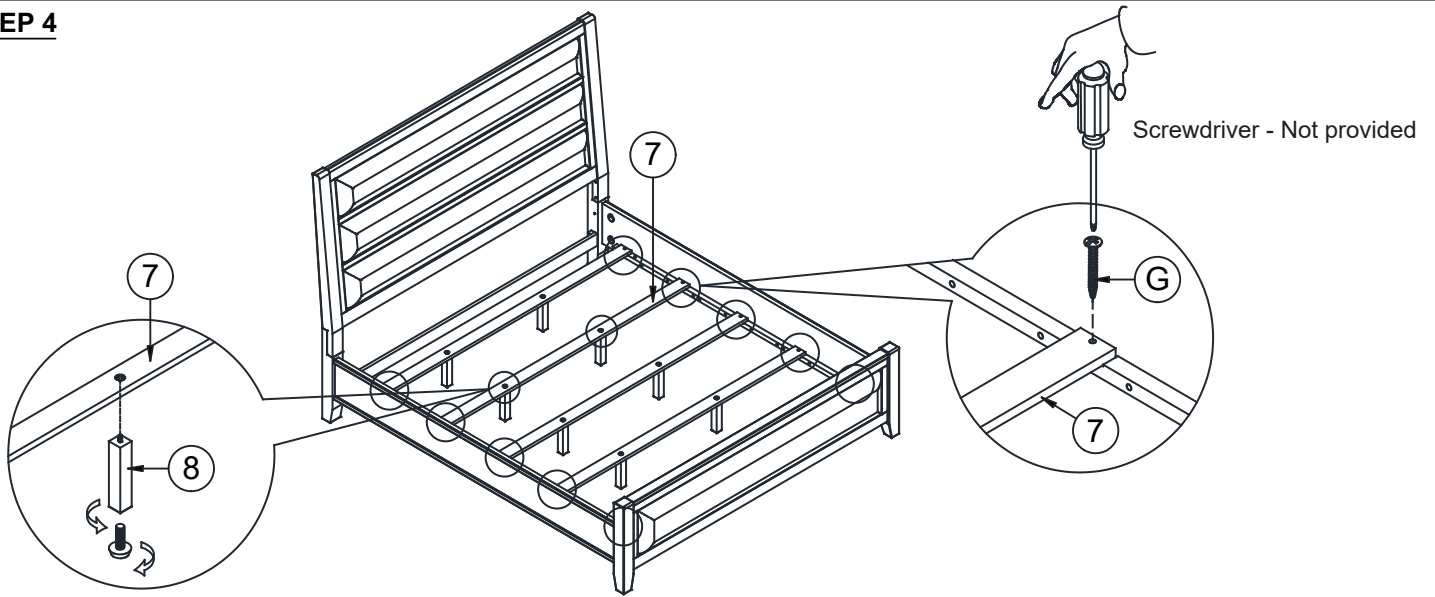
### WARNING!

1. Don't attempt to repair or modify parts that are broken or defective. Please contact the store immediately.
2. This product is for home use only and not intended for commercial establishments.

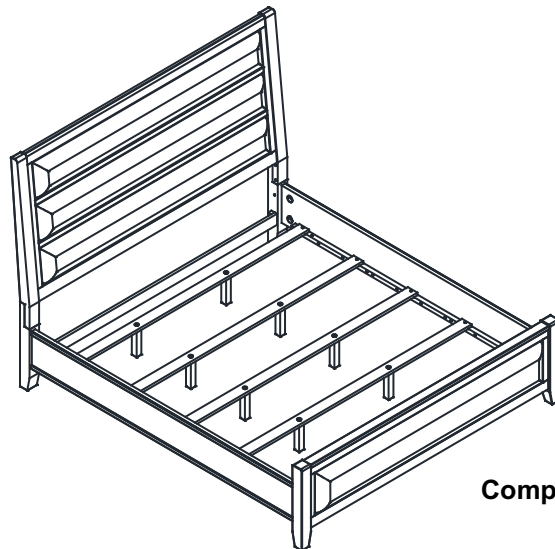
**STEP 3**



**STEP 4**



**STEP 5**



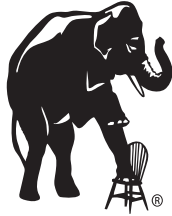
**Complete Assembly**

**ASSEMBLY TIPS:**

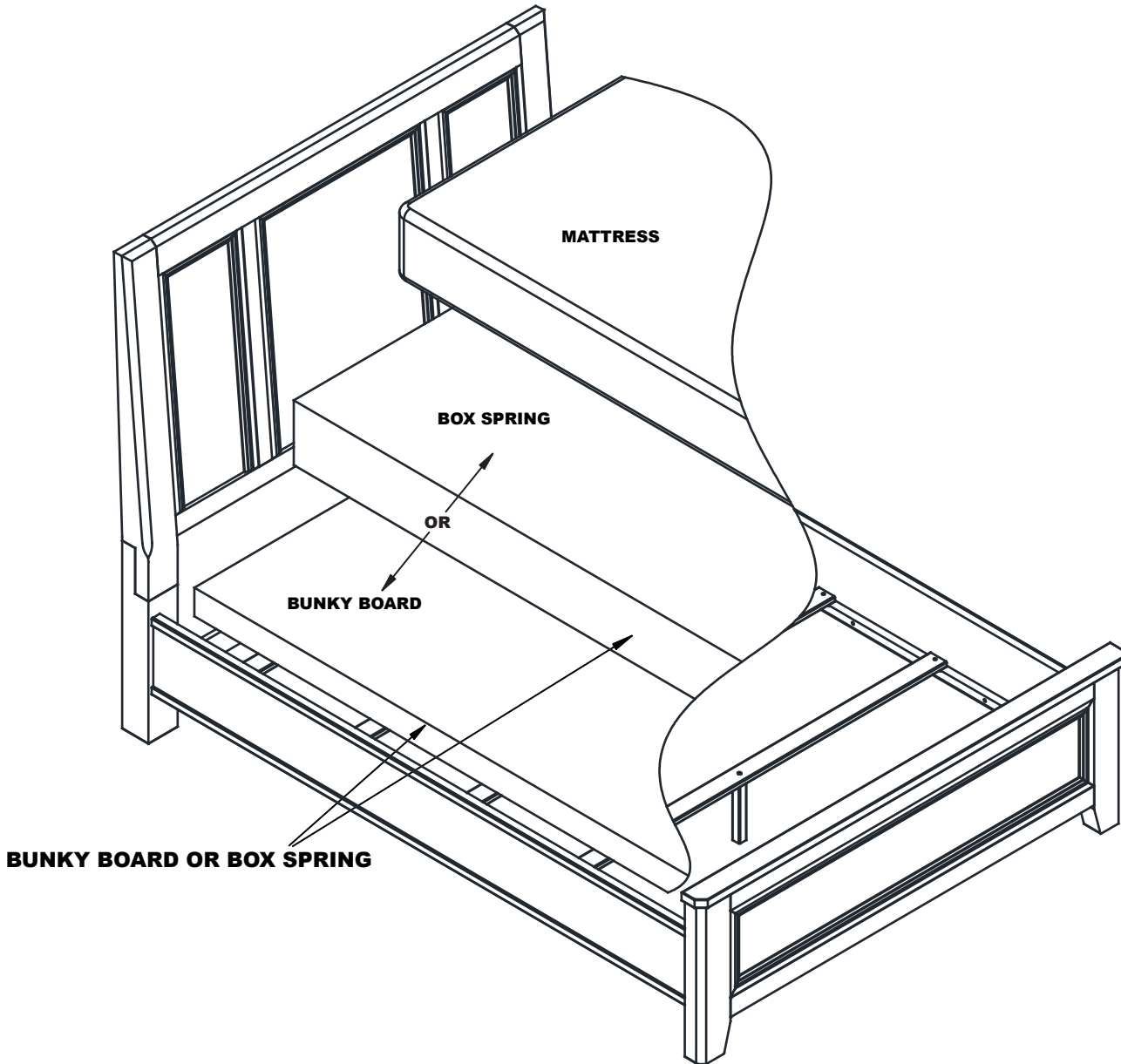
1. Remove hardware from box and sort by size.
2. Please check to see that all hardware and parts are present prior start of assembly.
3. Please follow attached instructions in the same sequence as numbered to assure fast and easy assembly.

**⚠ WARNING!**

1. Don't attempt to repair or modify parts that are broken or defective. Please contact the store immediately.
2. This product is for home use only and not intended for commercial establishments.



**INTERCON**  
FURNITURE FOR LIFE



**WARNING: A foundation such as box spring or bunky board is required for use. Failure to add a foundation could result in rail breakage.**

ABOVE BED IS FOR REFERENCE ONLY. NOT REPRESENT THE ACTUAL PRODUCT.