



**INTERCON**  
FURNITURE FOR LIFE

# ASSEMBLY INSTRUCTIONS

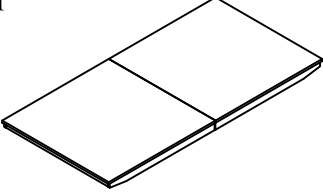
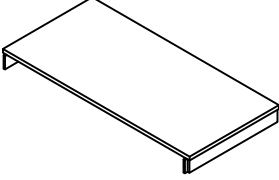
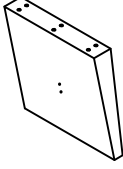
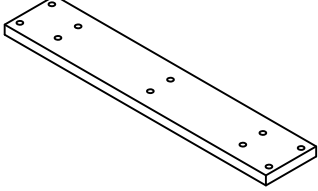
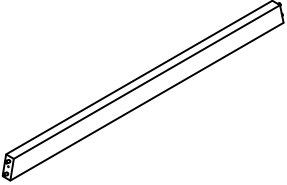
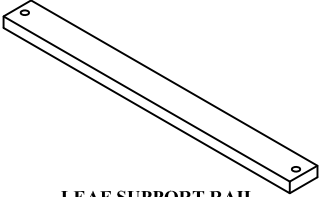



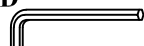
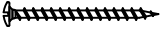
DESCRIP: 42x84-104, TRESTLE TABLE TOP

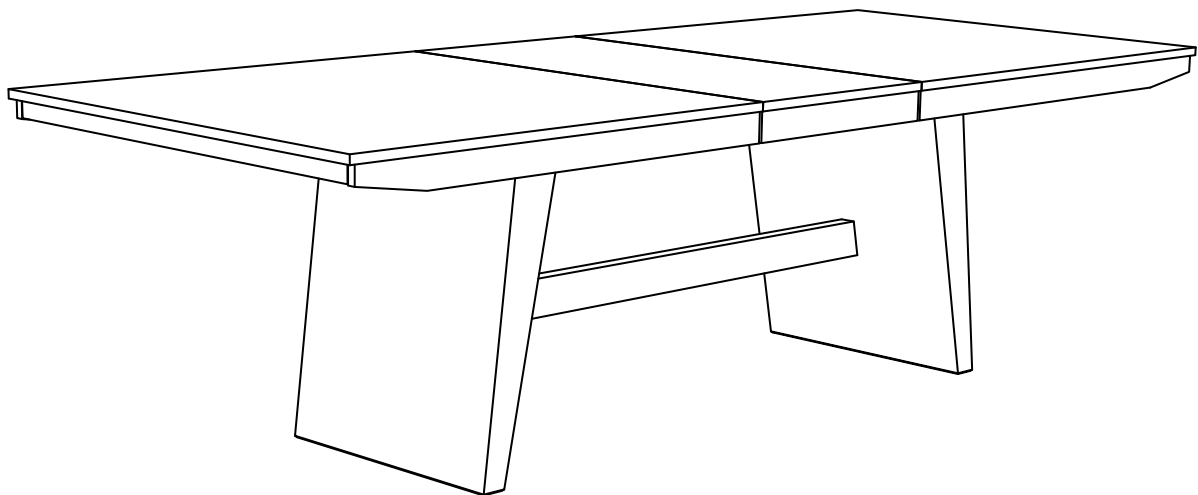
TRESTLE TABLE BASE

ITEM: VN-TA-42104-OSA-TOP

VN-TA-42104-OSA-BSE

Thank you for purchasing this quality product. Be sure to check all packing material carefully for small parts which may have come loose inside the carton during shipment. Identify and count all parts and compare with the parts list below. Please keep all hardware out of reach of small children.

<p>1</p>  <p>TABLE TOP (x1)</p>	<p>2</p>  <p>TABLE LEAF TOP (x1)</p>	<p>3</p>  <p>LEG (x2)</p>	<p>4</p>  <p>CONNECTOR PANEL (x2)</p>				
<p>5</p>  <p>MIDDLE STRETCHER (x1)</p>	<p>6</p>  <p>LEAF SUPPORT RAIL (x2)</p>						
<p>A</p>  <p>BOLT Ø5/16" x 50 (x24)</p>	<p>B</p>  <p>SPRING WASHER Ø5/16" x Ø12mm (x24)</p>	<p>C</p>  <p>FLAT WASHER Ø5/16" x Ø19mm (x24)</p>	<p>D</p>  <p>ALLEN KEY 58 x 23 x 4mm (x1)</p>	<p>E</p>  <p>SCREW Ø8 x Ø4 x 65mm (x2)</p>			



**COMPLETE ASSEMBLE**

### ASSEMBLY TIPS:

1. Remove hardware from box and sort by size.
2. Please check to see that all hardware and parts are present prior start of assembly.
3. Please follow attached instructions in the same sequence as numbered to assure fast and easy assembly.

### WARNING

1. Don't attempt to repair or modify parts that are broken or defective. Please contact the store immediately.
2. This product is for home use only and not intended for commercial establishments.



**INTERCON**  
FURNITURE FOR LIFE

# ASSEMBLY INSTRUCTIONS

DESCRIP: 42x84-104, TRESTLE TABLE TOP

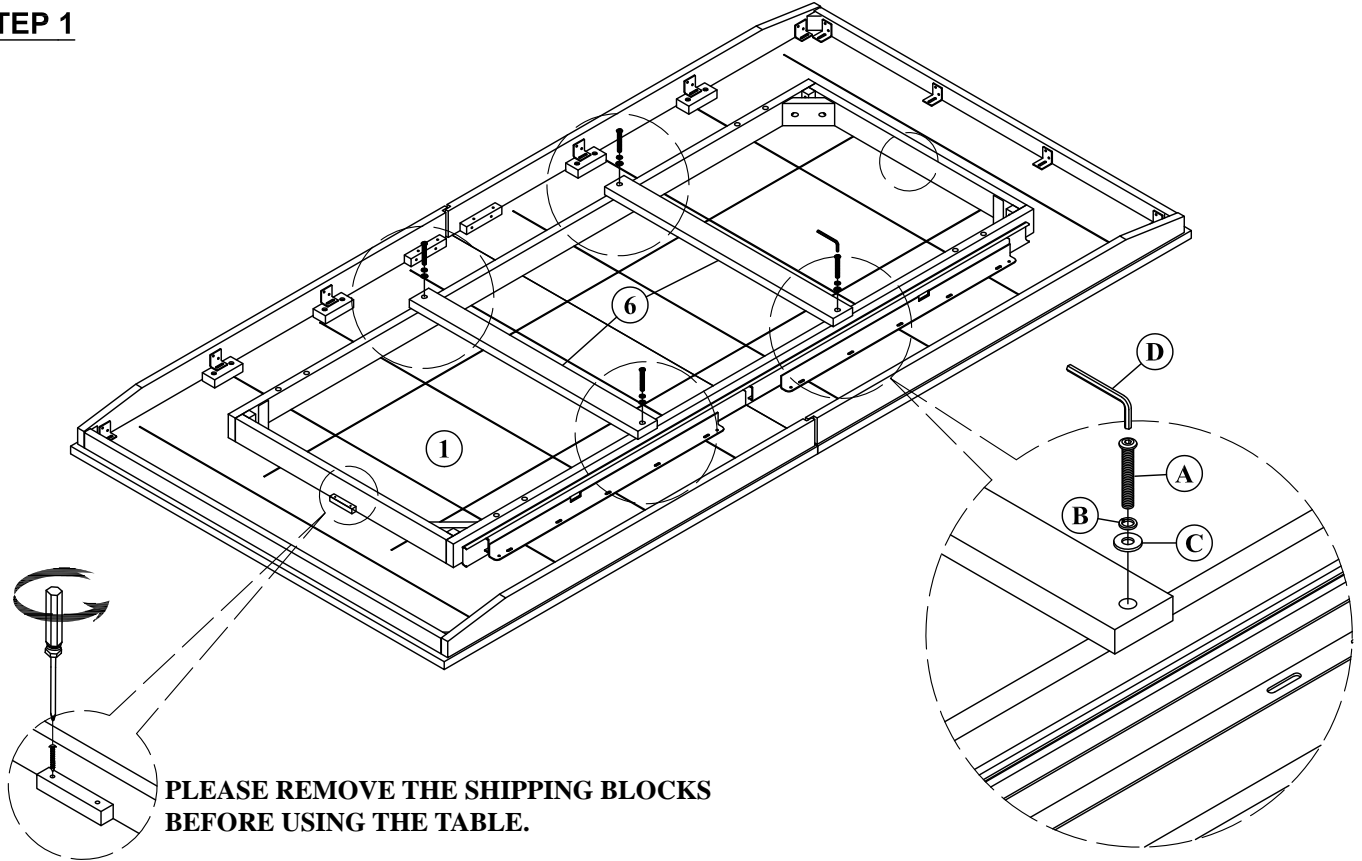
TRESTLE TABLE BASE

ITEM: VN-TA-42104-OSA-TOP

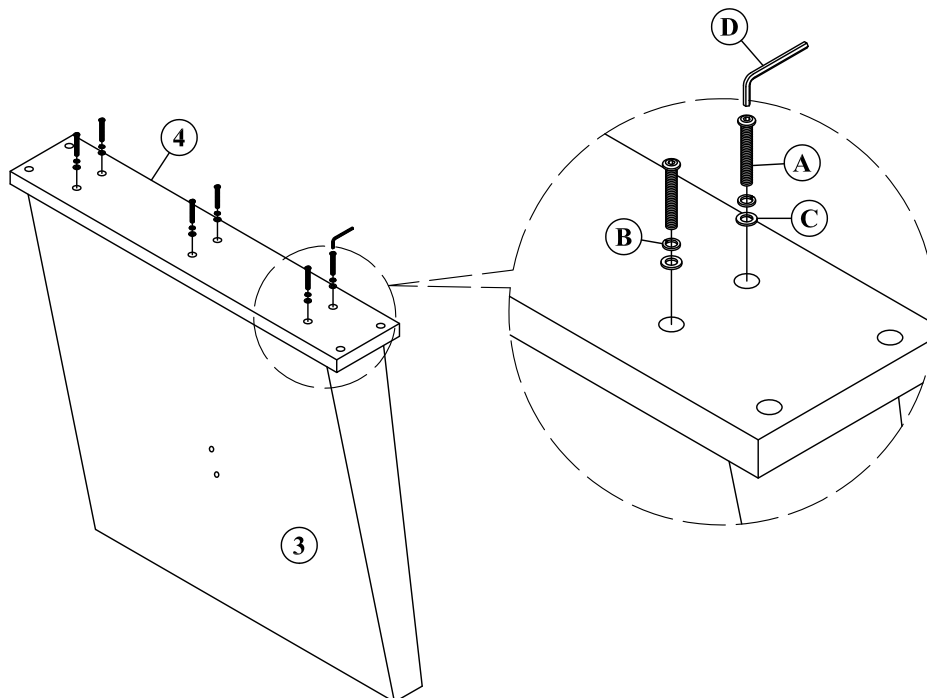
VN-TA-42104-OSA-BSE

Thank you for purchasing this quality product. Be sure to check all packing material carefully for small parts which may have come loose inside the carton during shipment. Identify and count all parts and compare with the parts list below. Please keep all hardware out of reach of small children.

## STEP 1



## STEP 2





**INTERCON**  
FURNITURE FOR LIFE

# ASSEMBLY INSTRUCTIONS

DESCRIP: 42x84-104, TRESTLE TABLE TOP

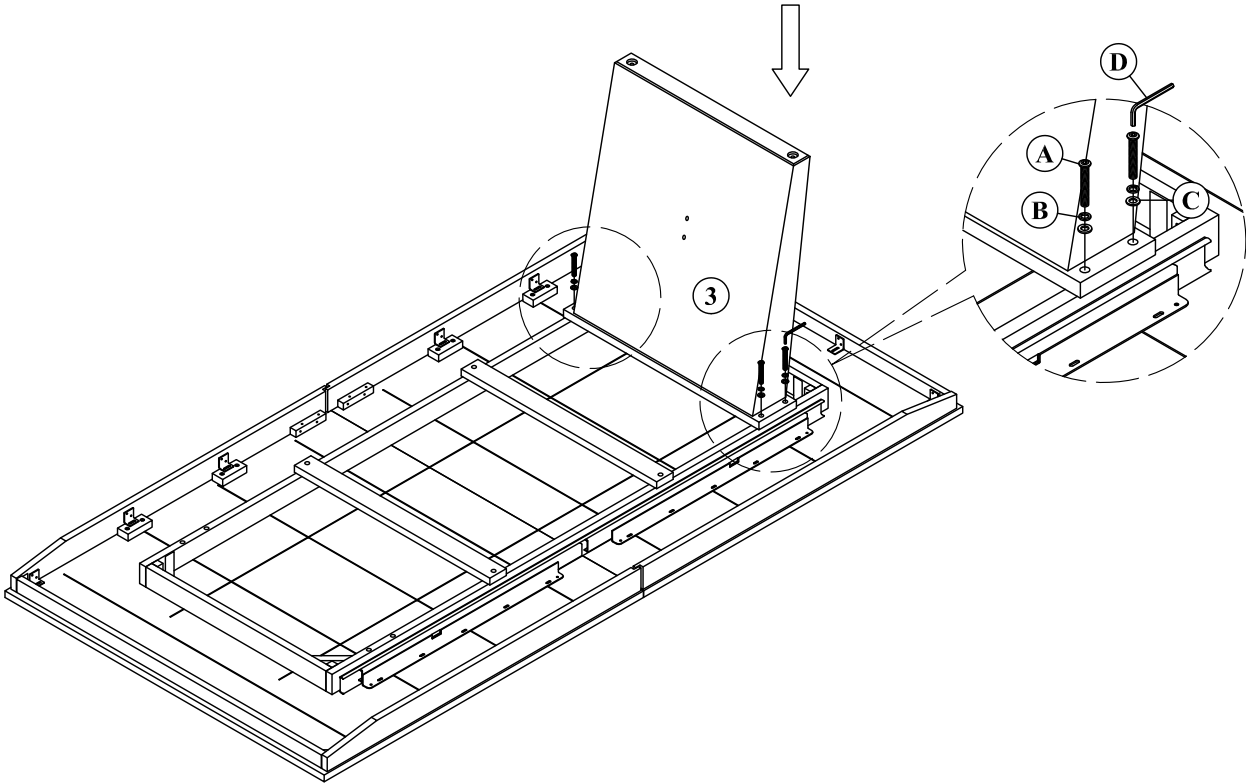
TRESTLE TABLE BASE

ITEM: VN-TA-42104-OSA-TOP

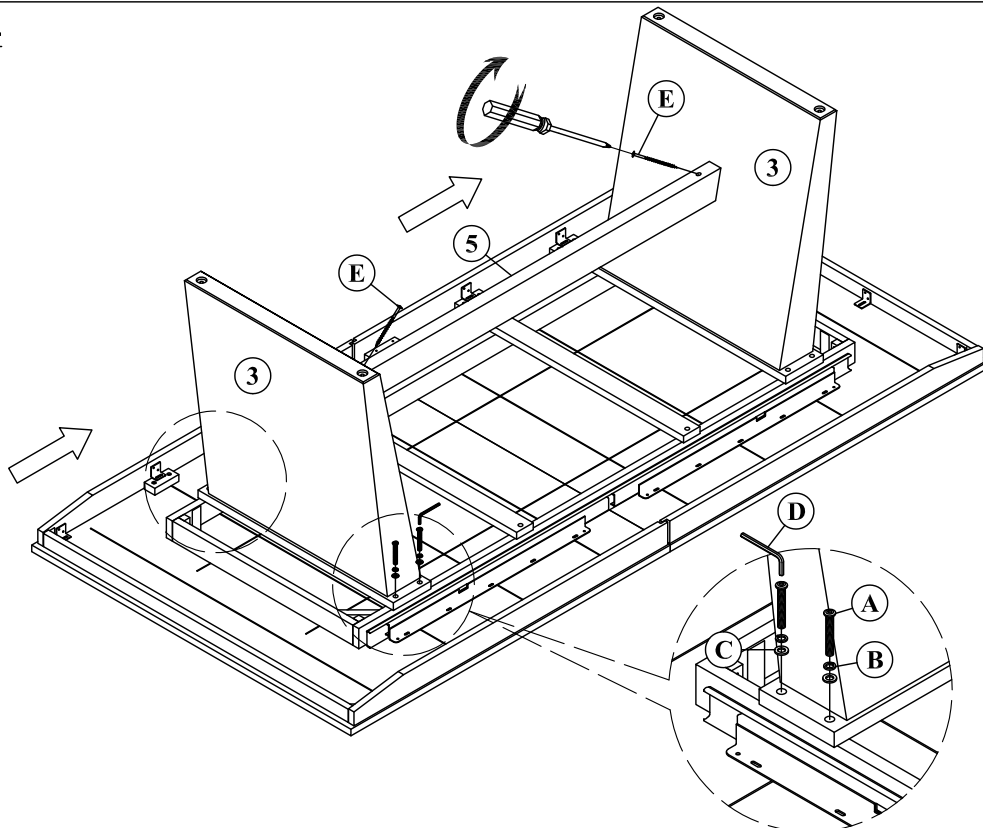
VN-TA-42104-OSA-BSE

Thank you for purchasing this quality product. Be sure to check all packing material carefully for small parts which may have come loose inside the carton during shipment. Identify and count all parts and compare with the parts list below. Please keep all hardware out of reach of small children.

## STEP 3



## STEP 4





**INTERCON**  
FURNITURE FOR LIFE

## ASSEMBLY INSTRUCTIONS

DESCRIP: 42x84-104, TRESTLE TABLE TOP

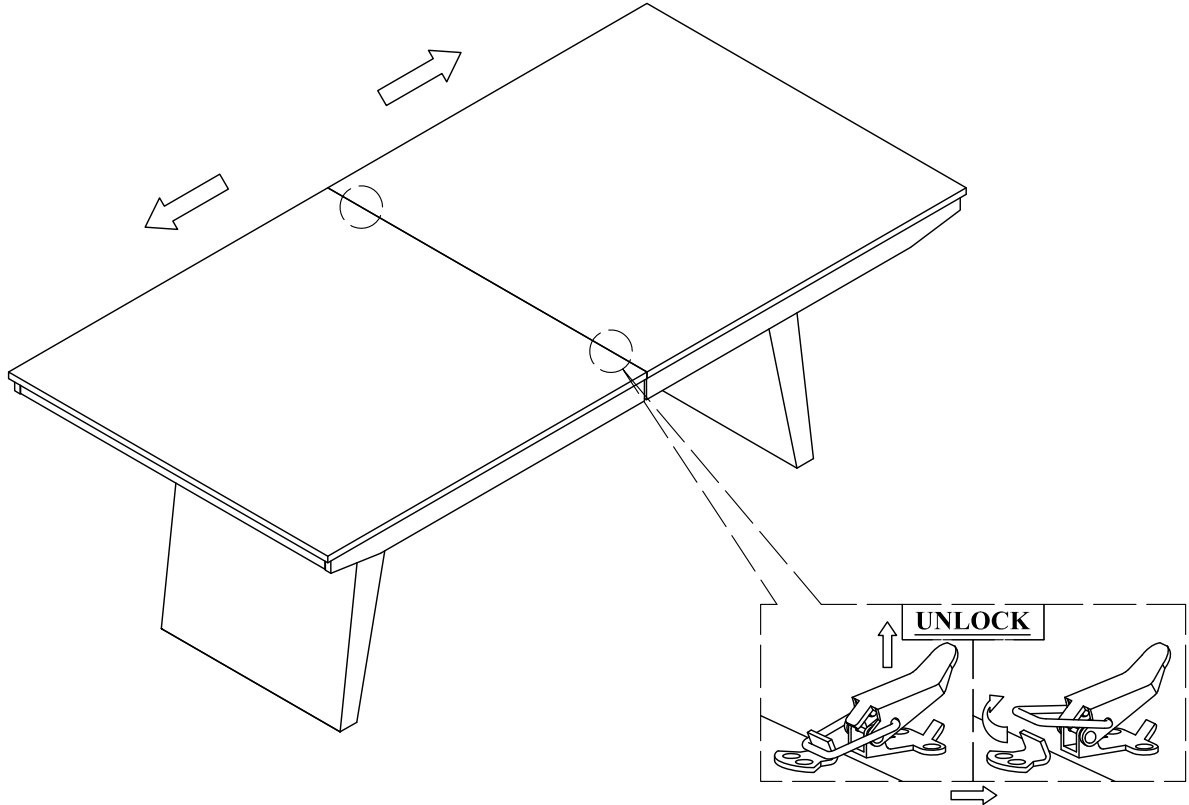
TRESTLE TABLE BASE

ITEM: VN-TA-42104-OSA-TOP

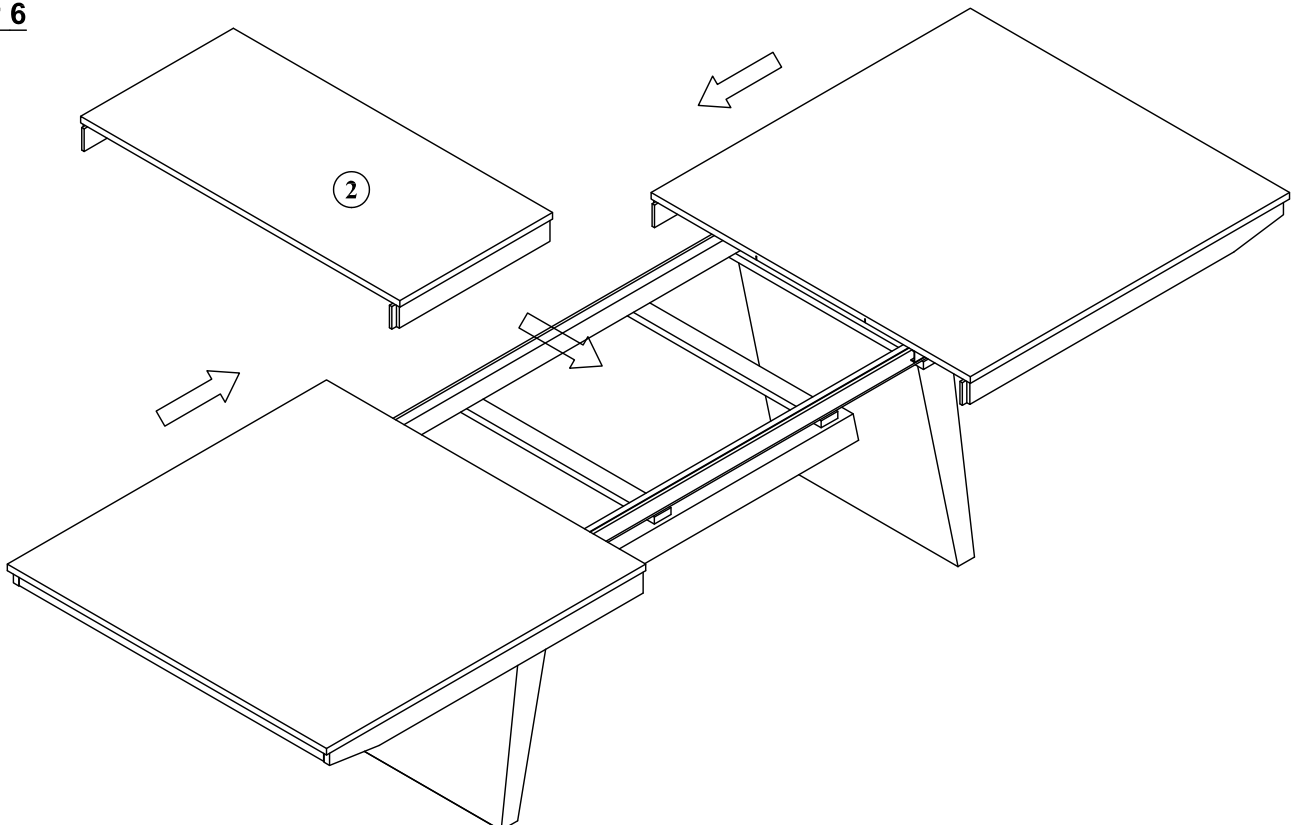
VN-TA-42104-OSA-BSE

Thank you for purchasing this quality product. Be sure to check all packing material carefully for small parts which may have come loose inside the carton during shipment. Identify and count all parts and compare with the parts list below. Please keep all hardware out of reach of small children.

### STEP 5



### STEP 6





**INTERCON**  
FURNITURE FOR LIFE

## ASSEMBLY INSTRUCTIONS

DESCRIP: 42x84-104, TRESTLE TABLE TOP

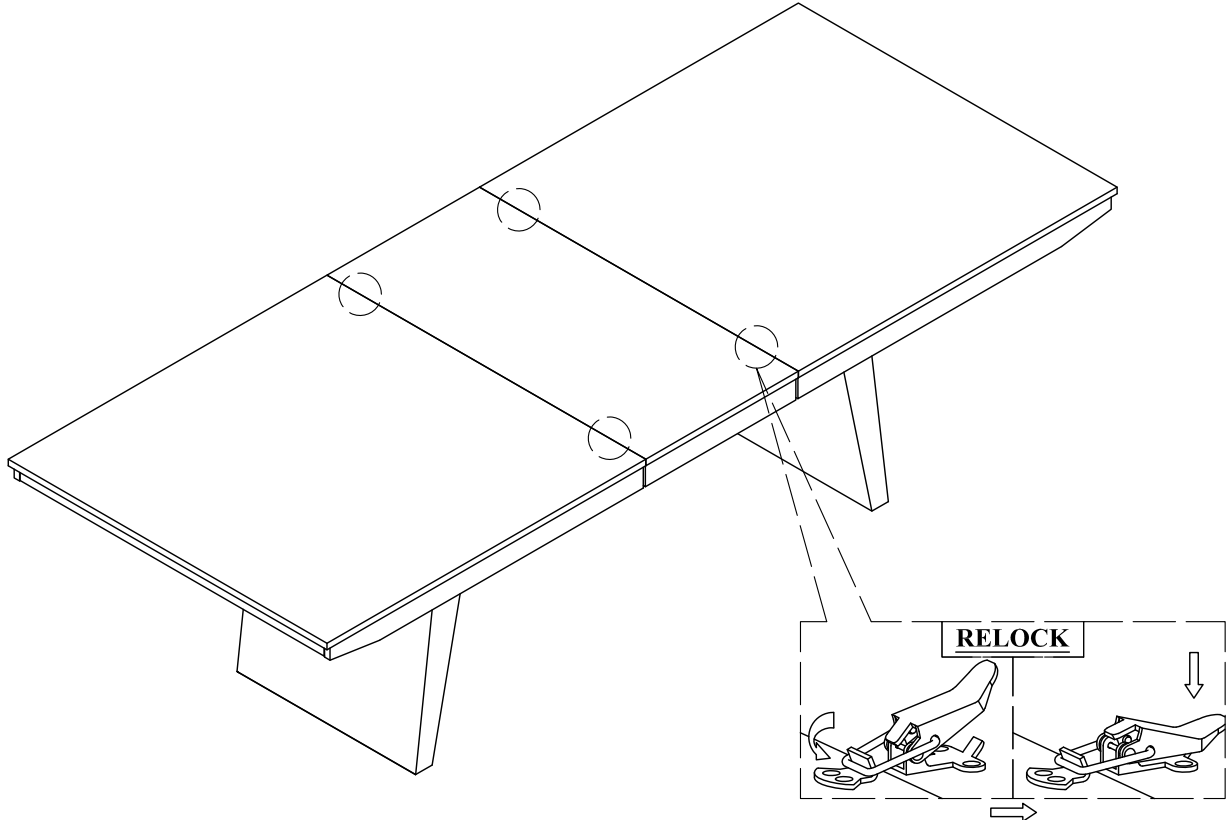
TRESTLE TABLE BASE

ITEM: VN-TA-42104-OSA-TOP

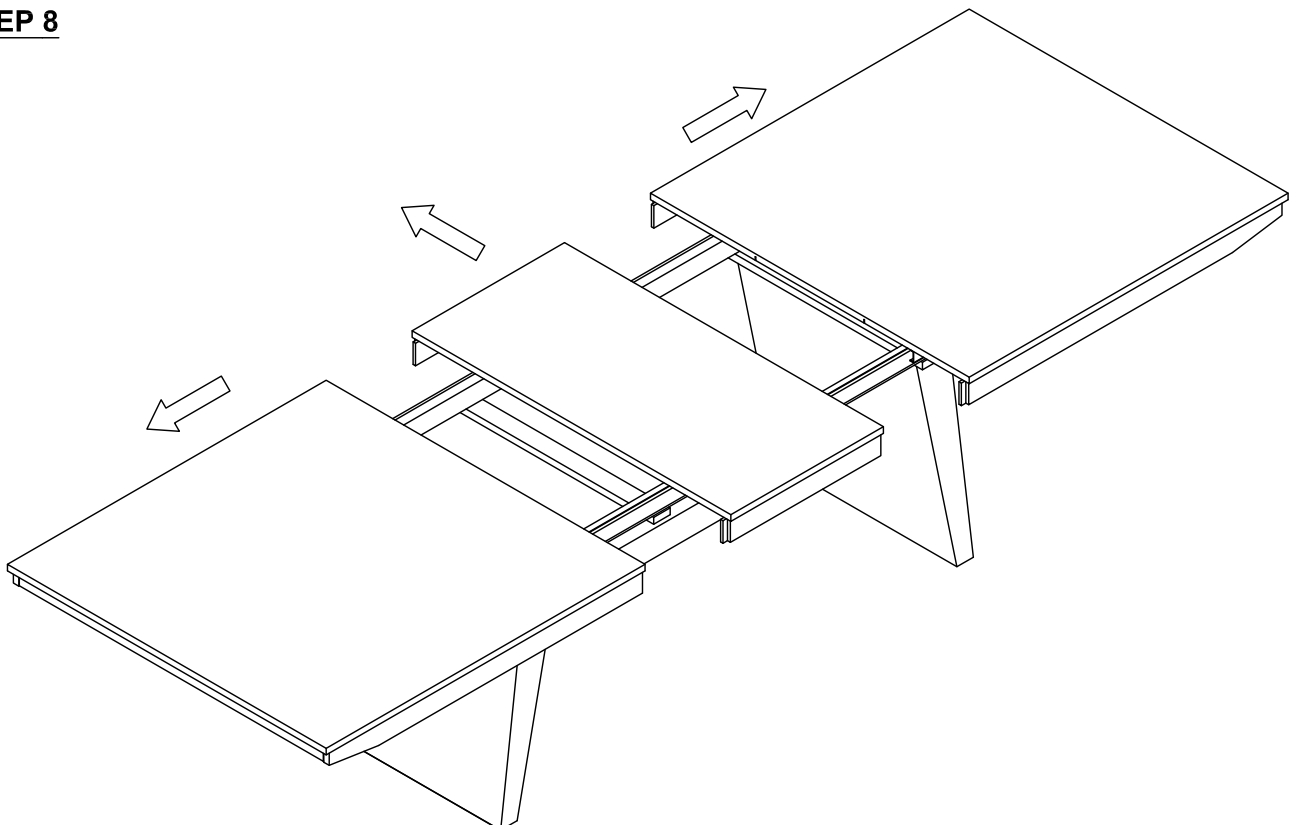
VN-TA-42104-OSA-BSE

Thank you for purchasing this quality product. Be sure to check all packing material carefully for small parts which may have come loose inside the carton during shipment. Identify and count all parts and compare with the parts list below. Please keep all hardware out of reach of small children.

### STEP 7



### STEP 8





**INTERCON**  
FURNITURE FOR LIFE

## ASSEMBLY INSTRUCTIONS

DESCRIP: 42x84-104, TRESTLE TABLE TOP

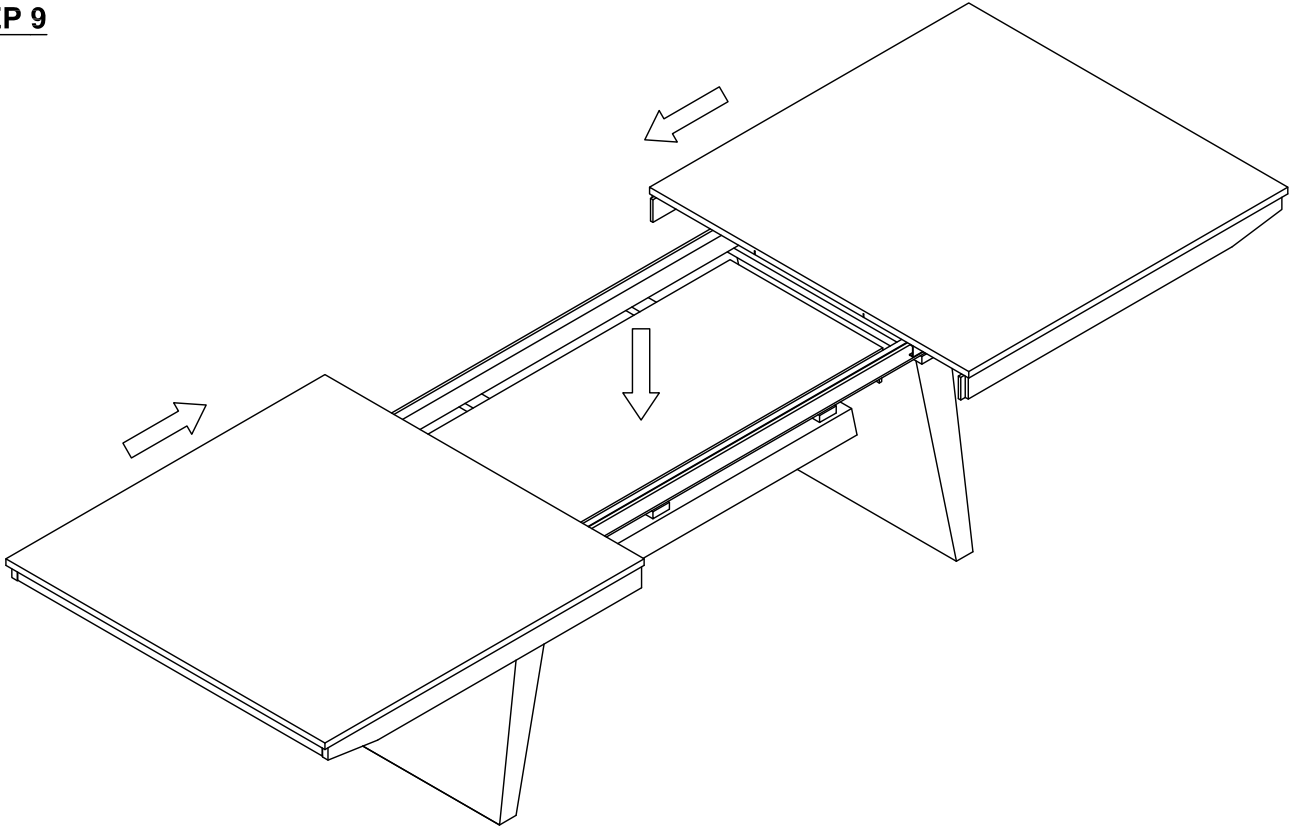
TRESTLE TABLE BASE

ITEM: VN-TA-42104-OSA-TOP

VN-TA-42104-OSA-BSE

Thank you for purchasing this quality product. Be sure to check all packing material carefully for small parts which may have come loose inside the carton during shipment. Identify and count all parts and compare with the parts list below. Please keep all hardware out of reach of small children.

### STEP 9



### STEP 10

