

# Assembly Instructions

## for Queen bed , King bed

Thank you for purchasing this quality product. Carefully check all packing material for small parts which may have come loose inside the carton during shipment. Keep all hardware out of the reach of small children. Study all the instructions and drawings carefully before assembly. Check that all connections are tight and the product does not wobble before using.

1. Attach two Bolts to each post of Headboard and Footboard. (Figure1)
  2. Attach Side Rails to the posts by using Curved Washers, Lock Washers, Nuts and Wrench. (Figure1)
  3. Adjust the leveller under the slats as needed. (Figure2)
  4. Secure slats to rails with screws. (Figure2)
- Make sure all connections are tight and the bed does not wobble before using.

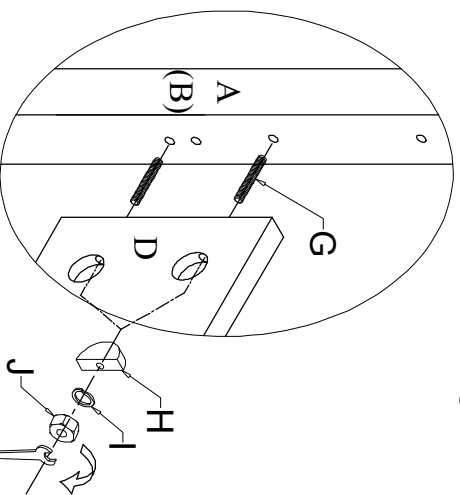


Figure1

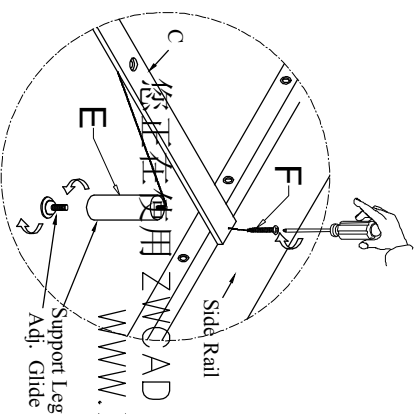


Figure2

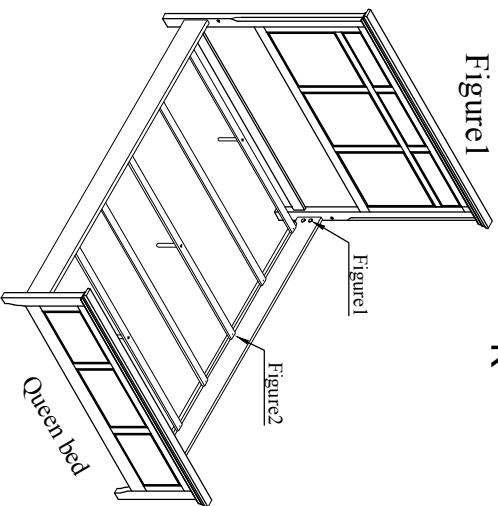


Figure1

Figure2

Queen bed

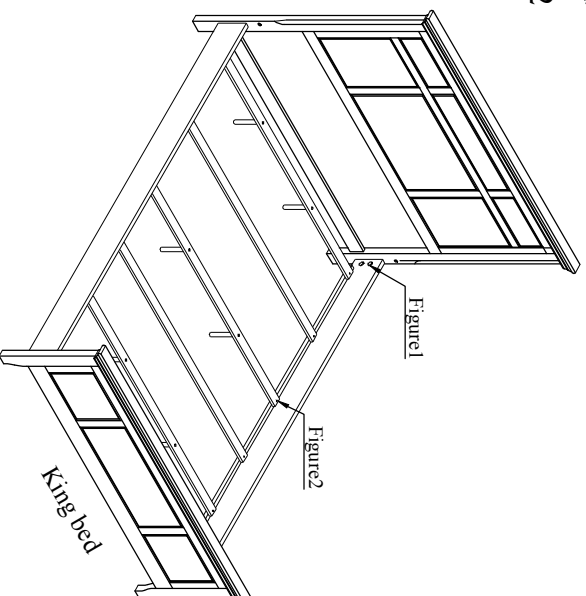


Figure1

Figure2

King bed

### PARTS CHECK LIST

ITEM	PART NAME	Queen bed	King bed
A	HEADBOARD	1	1
B	FOOTBOARD	1	1
C	SLAT	5	5
D	RAIL	2	2
E	SUPPORT	3	6

### HARDWARE CHECK LIST

ITEM	PART NAME	Queen bed	King bed
F	SCREW	10	10
G	BOLT	8	8
H	CURVED WASHER	8	8
I	LOCK WASHER	8	8
J	NUT	8	8
K	SPANNER WRENCH	1	1

您正在使用 ZWNSAD 2009i 试用版 详情请查阅  
WWW.ZWCAD.COM